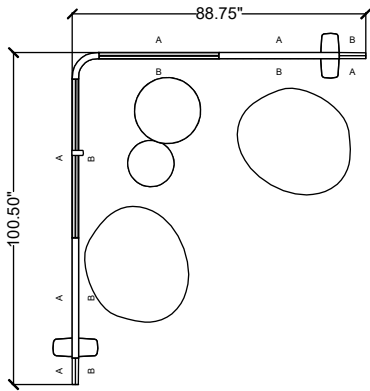


# stylex

## STILL 03



Materials priced in Grade B Fabric. This specification is for budget purposes and reflects list pricing.

# stylex

## STILL 03

#	Qty	Part Number	Description	List	Ext. List
<b>Still 03</b>					
1	1	ADB16T14SW	Adorn Side Table, Low Height, 14" Dia x 16" H, Solid Wood	\$972.00	\$972.00
2	1	ADB24T20SW	Adorn Side Table, Tall Height, 20" Dia x 24" H, Solid Wood	\$1,316.00	\$1,316.00
3	2	CV452	Cove Lounge, Wood Base	\$3,175.00	\$6,350.00
4	1	STU01H70W36	Upholstered Screen, Height 70" Width 36"	\$1,898.00	\$1,898.00
5	1	STU01H70W48	Upholstered Screen, Height 70" Width 48"	\$1,979.00	\$1,979.00
6	2	STU10H70	Upholstered End Cap, Radius, Height 70"	\$864.00	\$1,728.00
7	2	STW01H70W36	Wood Screen, Height 70" Width 36"	\$3,015.00	\$6,030.00
8	1	STW02H70	Wood 90 degree Corner, Height 70"	\$1,281.00	\$1,281.00
9	1	STA01	Accessory Coat Hook	\$36.00	\$36.00
10	2	STB01	Small Base	\$117.00	\$234.00
				<b>Total Still 03</b>	<b>\$21,824.00</b>