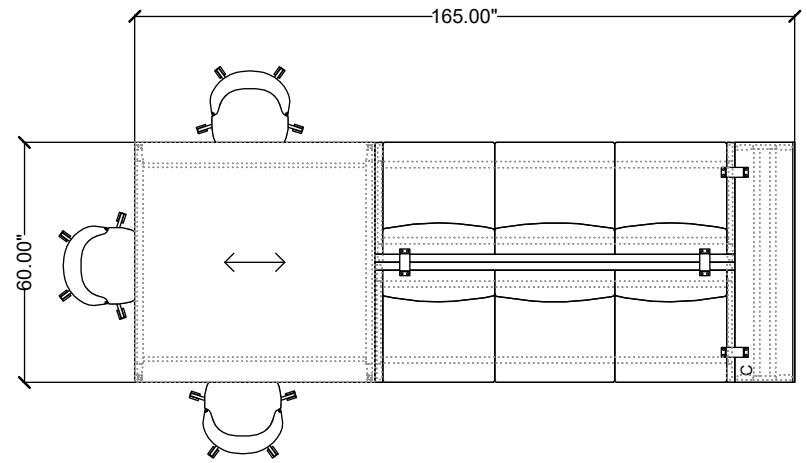


# STYLEX

FREE ADDRESS 07



**NOTE:**

Materials priced in Grade 1 Laminate and Grade B Fabric  
This specification is for budget purposes and reflects list pricing

### FREE ADDRESS 07

#	Qty	Part Number	Description	List	Ext. List
<b>Free Address 07</b>					
1	3	UL1150	Underline Chair, Armless, 5 Blade	\$1,048.00	\$3,144.00
2	2	FA13SE29B	29 Height Low-Back Triple With End Panel 29"H Both Sides, Standard	\$5,396.00	\$10,792.00
3	1	FA5D6060	Table - Desk Height 60 x 60	\$2,115.00	\$2,115.00
4	1	FA6C4H29	Cubby - Quad, 29" Height	\$2,155.00	\$2,155.00
5	1	FA8SD15L60	Frame - Seat Height, 15" Depth 60" Length	\$881.00	\$881.00
6	2	FA8SD30L90	Frame - Seat Height, 30" Depth 90" Length	\$1,197.00	\$2,394.00
7	4	FAFG1	Free Address Frame Ganging 1 (Seats)	\$50.00	\$200.00
<b>Total Free Address 07</b>				<b>\$21,681.00</b>	<b>\$21,681.00</b>