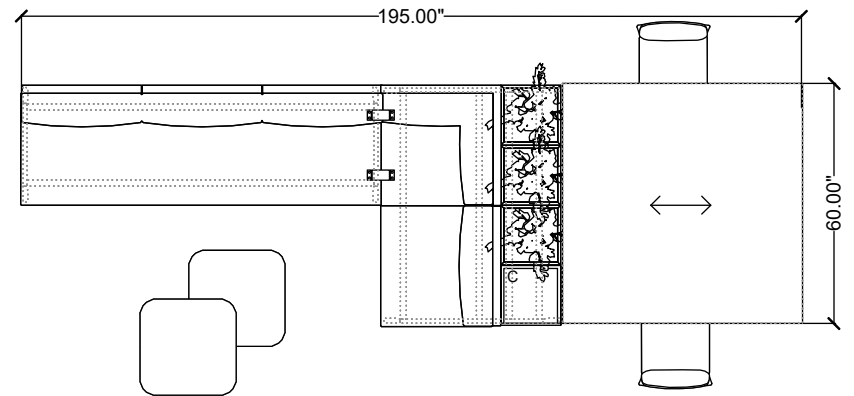


STYLEX

FREE ADDRESS 04



NOTE:

Materials priced in Grade 1 Laminate and Grade B Fabric
This specification is for budget purposes and reflects list pricing

FREE ADDRESS 04

#	Qty	Part Number	Description	List	Ext. List
Free Address 04					
1	2	DL411	Bar Stool 4-leg Fully Upholstered	\$1,223.00	\$2,446.00
2	1	TR242412C	24Lx24Wx12H, Closed Base	\$1,219.00	\$1,219.00
3	1	TR242414O	24Lx24Wx14H, Open Base	\$1,224.00	\$1,224.00
4	1	FA31S	42 Single, Standard	\$2,372.00	\$2,372.00
5	1	FA33S	42 Triple, Standard	\$5,406.00	\$5,406.00
6	1	FA34S	42 Corner, Standard	\$3,140.00	\$3,140.00
7	1	FA5B6060	Table - Bar Height 60 x 60	\$2,475.00	\$2,475.00
8	1	FA6C1H42	Cubby - Single, 42" Height	\$1,712.00	\$1,712.00
9	3	FA6P1H42	Planter - Single, 42" Height	\$1,839.00	\$5,517.00
10	1	FA8SD30L90	Frame - Seat Height, 30" Depth 90" Length	\$1,197.00	\$1,197.00
11	1	FA8SD45L60	Frame - Seat Height, 45" Depth 60" Length	\$1,524.00	\$1,524.00
12	2	FAFG1	Free Address Frame Ganging 1 (Seats)	\$50.00	\$100.00
Total Free Address 04				\$28,332.00	\$28,332.00