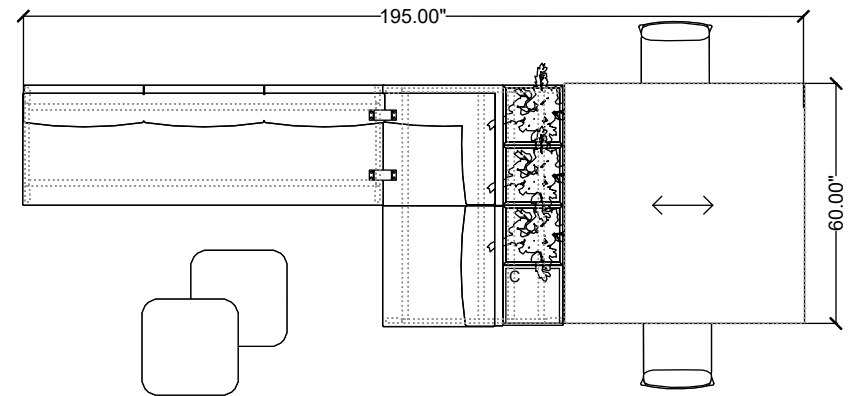


# stylex

FREE ADDRESS 04



Materials priced in Grade B Fabric. This specification is for budget purposes and reflects list pricing.



## FREE ADDRESS 04

| #                      | Qty | Part Number | Description                               | List                         | Ext. List          |
|------------------------|-----|-------------|---|------------------------------|--------------------|
| <b>Free Address 04</b> |     |             |   |                              |                    |
| 1                      | 2   | DL411       | Bar Stool 4-leg Fully Upholstered         | \$1,345.00                   | \$2,690.00         |
| 2                      | 1   | TR242412O   | 24Lx24Wx12H, Open Base                    | \$1,317.00                   | \$1,317.00         |
| 3                      | 1   | TR242414O   | 24Lx24Wx14H, Open Base                    | \$1,322.00                   | \$1,322.00         |
| 4                      | 1   | FA31S       | 42 Single, Standard                       | \$2,562.00                   | \$2,562.00         |
| 5                      | 1   | FA33S       | 42 Triple, Standard                       | \$5,838.00                   | \$5,838.00         |
| 6                      | 1   | FA34S       | 42 Corner, Standard                       | \$3,391.00                   | \$3,391.00         |
| 7                      | 1   | FA5B6060    | Table - Bar Height 60 x 60                | \$2,673.00                   | \$2,673.00         |
| 8                      | 1   | FA6C1H42    | Cubby - Single, 42" Height                | \$1,849.00                   | \$1,849.00         |
| 9                      | 3   | FA6P1H42    | Planter - Single, 42" Height              | \$1,986.00                   | \$5,958.00         |
| 10                     | 1   | FA8SD30L90  | Frame - Seat Height, 30" Depth 90" Length | \$1,293.00                   | \$1,293.00         |
| 11                     | 1   | FA8SD45L60  | Frame - Seat Height, 45" Depth 60" Length | \$1,646.00                   | \$1,646.00         |
| 12                     | 2   | FAFG1       | Free Address Frame Ganging 1 (Seats)      | \$54.00                      | \$108.00           |
|                        |     |             |   | <b>Total Free Address 04</b> | <b>\$30,647.00</b> |