

STYLEX

Disassembly and Recycling Document

Model: Obair Table

Refer to Stylex website for model variations

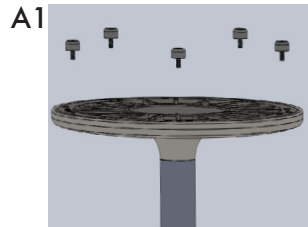
Tools Required

- Safety glasses
- 1/4" Hex Key
- 5/32" Hex Key

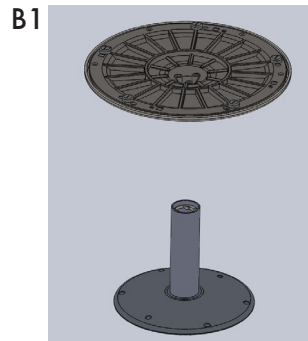


Breakdown Steps

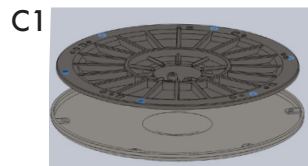
1. Flip table upside down and remove glides. (Figure A1)



2. Using the 1/4" hex key, remove the first 3 bolts from base assembly (Figure B1) in order to remove the counterweight subassembly.



3. Remove the 6 mounting screws from shroud and counterweight using the 5/32" Hex key. (Figure C1).



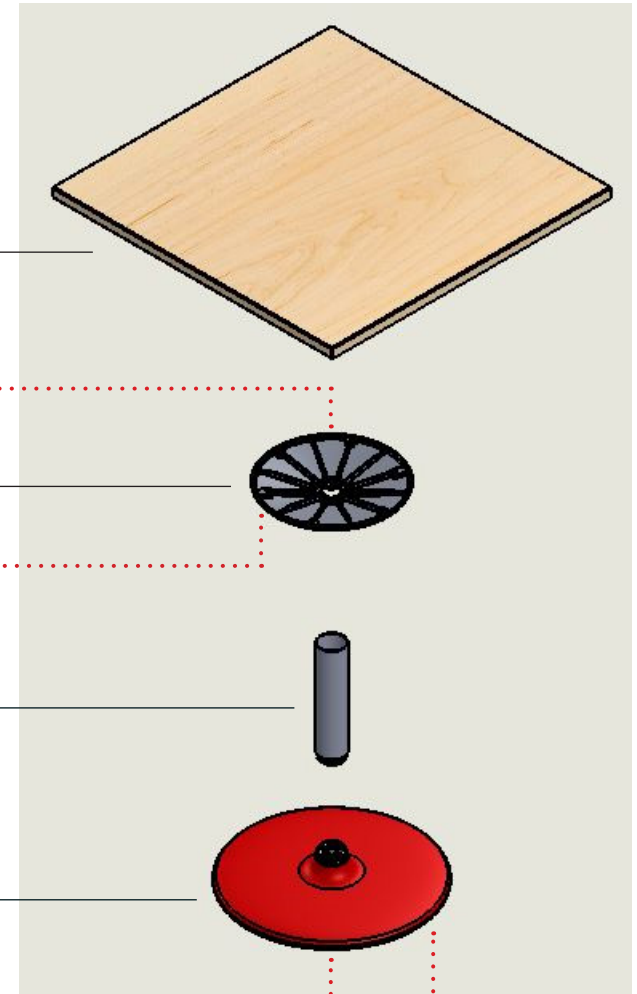
4. Separate the top mounting plate column assembly from the top by removing the 6 mounting screws using a 5/32" hex key.





5A. Using a 1/4" hex key, remove the 3 screws connecting the top mounting plate to the column. (Figure D1).

5B. If the table is rectangular, you will need the 3/8" wrench as specified in the assembly instructions to take off the stretcher after removal of columns.


Exploded Product Assembly



- Table Top
- Material: MDF, Laminate, Wood, Acrylic

- Screws 
- Material: Steel
- Top Mounting Plate
- Material: Aluminum 

- Screws 
- Material: Steel

- Table Column
- Material: Steel 

- Counterweight Subassembly
- Material: Steel 

- Screws 
- Material: Steel

- Mounting Screws 
- Material: Steel