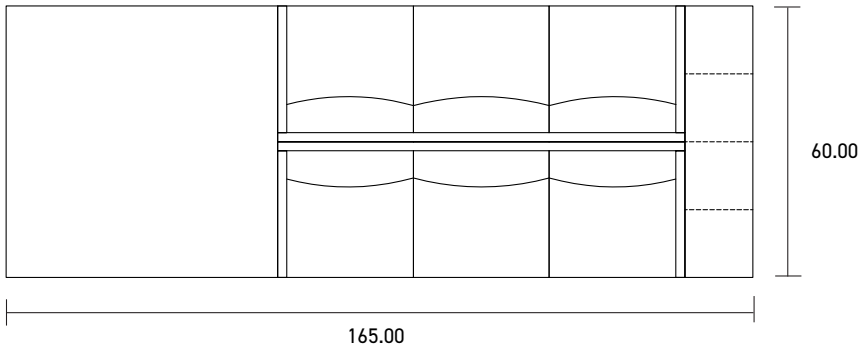
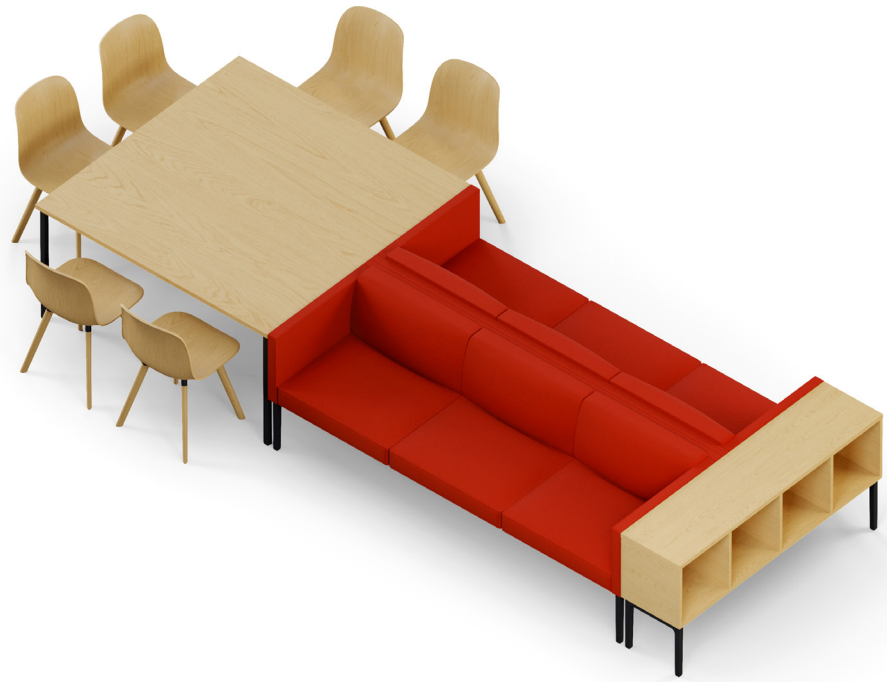


**FREE ADDRESS | COMMUNITY 02**

\*Shown in brochure



\*All dimensions in inches

Free Address Component	Model Number	COM Unit Price	COM Extended
29 Triple Seat, 29 End Panels (x2)	FA13SE29B	4,098	8,196
Cubby - Quad, 29" Height	FA6C4H29	1,890	1,890
Frame - Seat Height, 15" x 60"	FA8SD15L60	766	766
Frame - Seat Height, 30" x 90" (x2)	FA8SD30L90	1,041	2,082
Table - Desk Height, 60" x 60"	FA5D6060	1,922	1,922
Total COM Price:			14,856

\*All laminate items priced in lowest grade

**STYLEX**