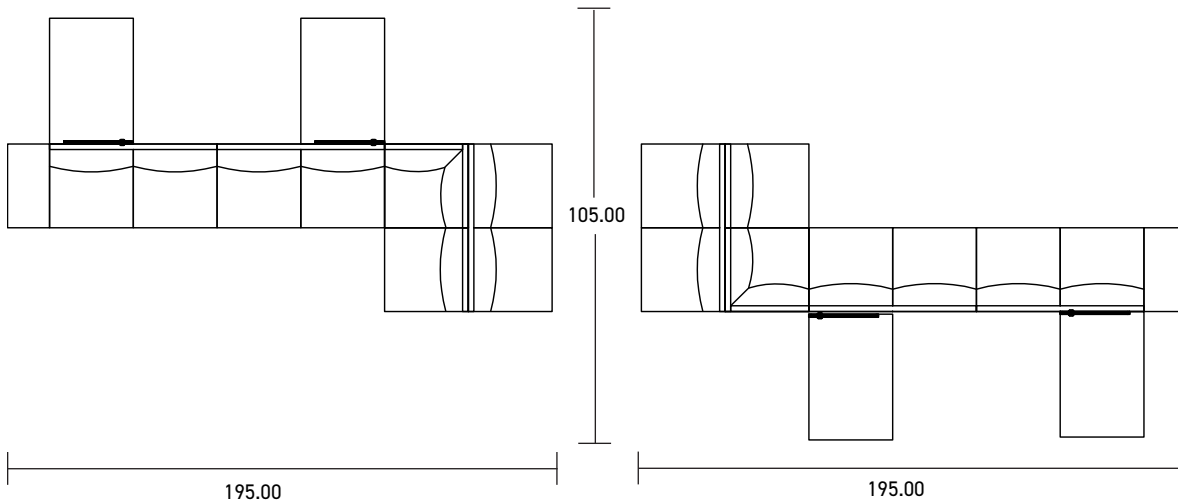
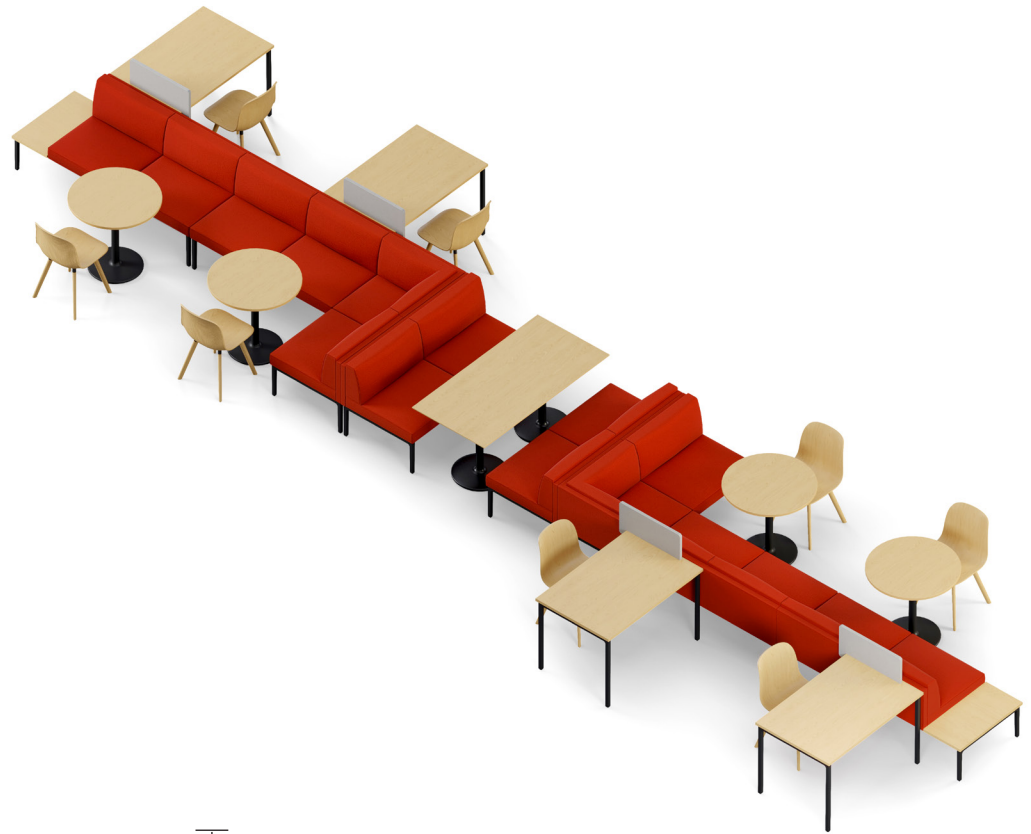


**FREE ADDRESS | COLLABORATIVE 03**

\*Shown in brochure



\*All dimensions in inches

Free Address Component	Model Number	COM Unit Price	COM Extended
29 Single Seat (x2)	FA11S	1,470	2,940
29 Corner Seat (x2)	FA14S	2,027	4,054
29 Double Seat (x6)	FA12S	2,552	15,312
Table Top - Seat Height, 30" X 15" (x2)	FA5S3015	238	476
Frame - Seat Height, 30" x 60" (x6)	FA8SD30L60	922	5,532
Frame - Seat Height, 30" x 75" (x2)	FA8SD30L75	999	1,998
Table - Desk Height, 30" x 45" (x4)	FA5D3045	1,472	5,888
Privacy, Side (x4)	PS21	268	1,072
<b>Total COM Price:</b>			<b>37,272</b>

\*All laminate items priced in lowest grade

**STYLEX**